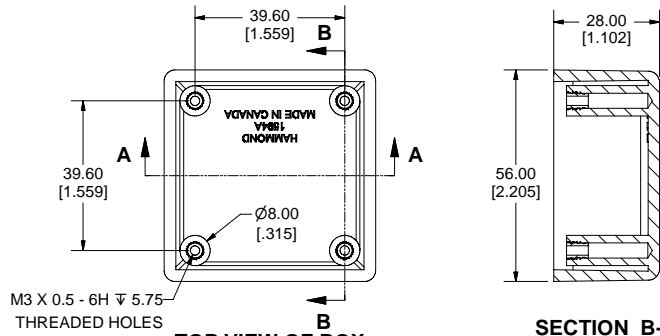


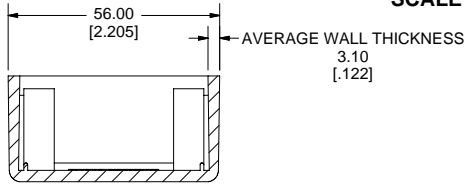
DRAFT ANGLE OF APPROXIMATELY 1°



TOP VIEW OF BOX

**SECTION B-B
SCALE 1 : 1**

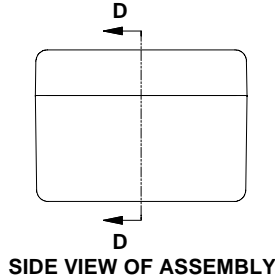
M3 X 0.5 - 6H ∇ 5.75
THREADED HOLES



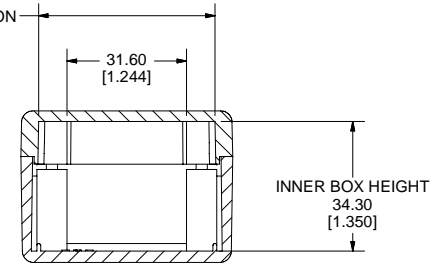
**SECTION A-A
SCALE 1 : 1**



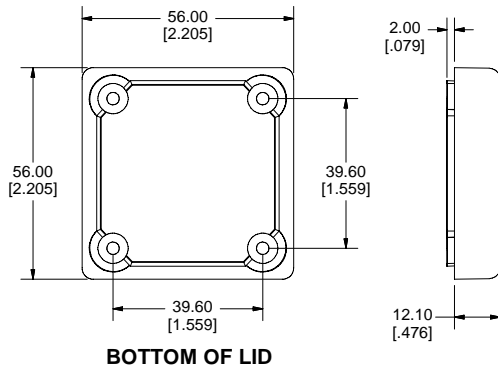
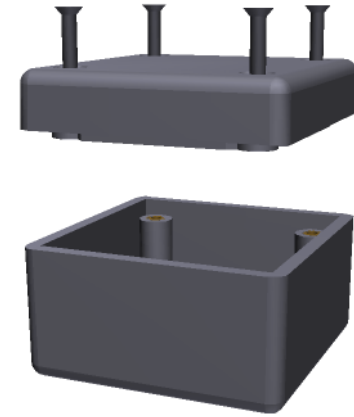
NARROWEST INSIDE DIMENSION
46.67
[1.838]



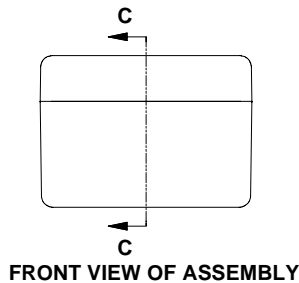
SIDE VIEW OF ASSEMBLY



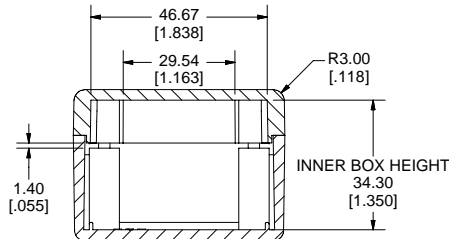
**SECTION D-D
SCALE 1 : 1**



BOTTOM OF LID



FRONT VIEW OF ASSEMBLY



**SECTION C-C
SCALE 1 : 1**

Enclosures can be Factory Modified (Milling, Drilling, Printing etc.)
Solid models of this enclosure available in STEP or IGES.
Contact Factory mjm@hammondmfg.com

1594A Enclosure	
FLAME RETARDANT ABS	
Black - RAL 9011	1594ABK
Grey - RAL 7018	1594AGY
NON-FLAME RETARDANT ABS	
Grey - RAL 7035	1594ASGY
Black - RAL 9011	1594ASBK
LIQUID RESISTANT	
Black - RAL 9011	1594AWBK
ACCESSORIES	
Cover Screws Non-Flame Retardant (pkg. 100) [#4 x 1" Self-Tapping]	1594TS100
Cover Screws Flame Retardant (pkg. 100) [M3 - 0.5 x 20mm]	1594MS100
Cover Screws Liquid Resistant (pkg. 100) [M3 - 0.5 x 20mm]	1594WMS100
Circuit Board Holders	(See 1594Z Series)

